

### Adore 500 x 636mm 3 Column Radiator AD3C-050-14-0636



#### Specification

Finish	White
Dimensions	500(h) x 636(w) x 100(d) mm
Weight	17kg
BTU Output/Hr	2457
Watts @ $\Delta$ T50°C	720
Bars	14
Pipe Centres	–
Electric Element Wattage	–
End to End Connections	636mm
Radiator Columns	3
Material	Mild Steel

All heat outputs are shown at 50°C  $\Delta$ t in compliance with BSEN442. Watts and Btu's apply to Heating and Dual Fuel only.

#### Key Features + Benefits



15  
Years  
Guarantee

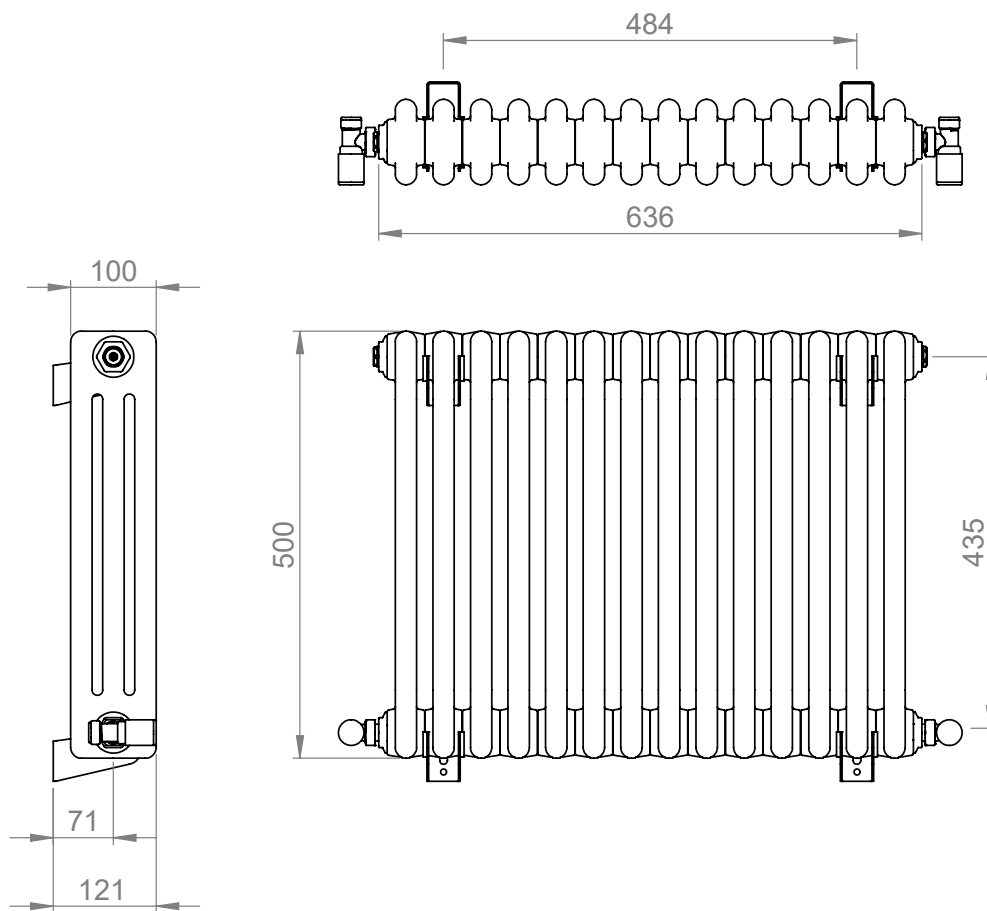


MS  
Mild  
Steel

#### Certifications + Approvals

## Technical Data Sheet | Designer Radiators

### Adore 500 x 636mm 3 Column Radiator AD3C-050-14-0636



\*Dual energy models require a conversion-tee, consult relevant drawing for details.