

Adore 600 x 1076mm 2 Column Radiator AD2C-060-24-1076



Specification

Finish	White
Dimensions	600(h) x 1076(w) x 68(d) mm
Weight	24kg
BTU Output/Hr	3603
Watts @ Δ T50°C	1056
Bars	24
Pipe Centres	–
Electric Element Wattage	–
End to End Connections	1076mm
Radiator Columns	2
Material	Mild Steel

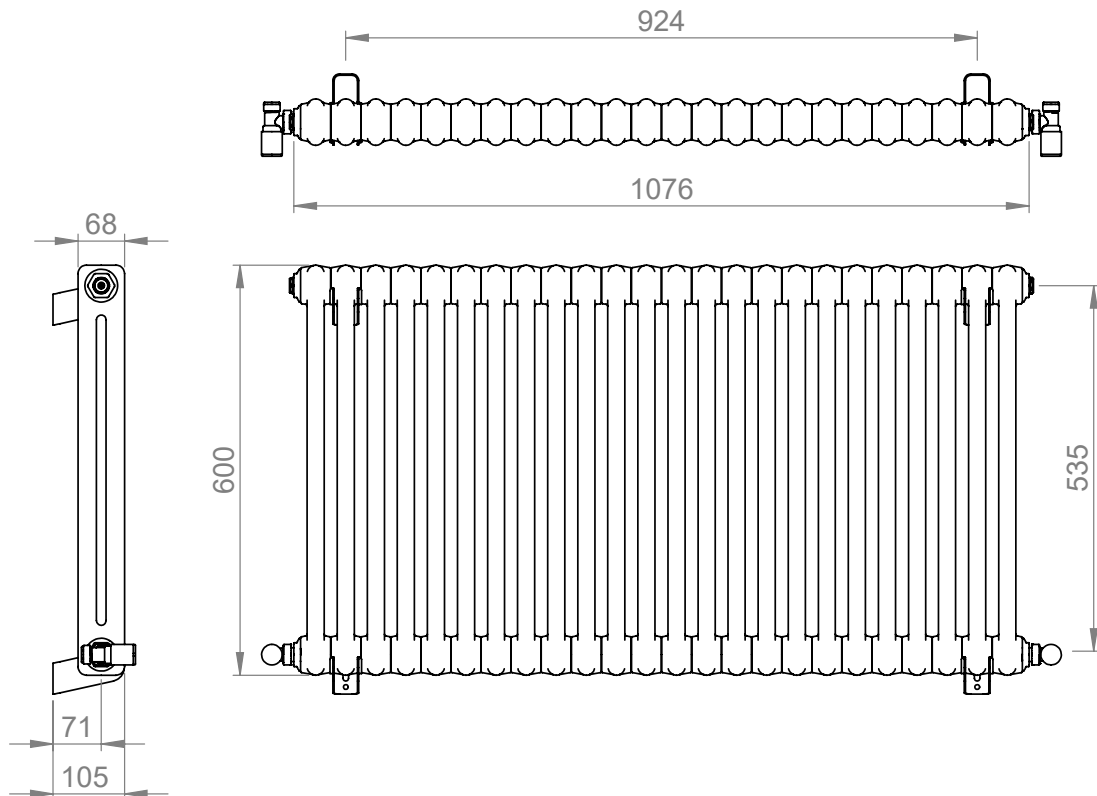
All heat outputs are shown at 50°C Δ t in compliance with BSEN442. Watts and Btu's apply to Heating and Dual Fuel only.

Key Features + Benefits



Certifications + Approvals

Adore 600 x 1076mm 2 Column Radiator AD2C-060-24-1076



*Dual energy models require a conversion-tee, consult relevant drawing for details.