

Adore 600 x 460mm 2 Column Radiator AD2C-060-10-0460



Specification

Finish	White
Dimensions	600(h) x 460(w) x 68(d) mm
Weight	8kg
BTU Output/Hr	1501
Watts @ Δ T50°C	440
Bars	10
Pipe Centres	–
Electric Element Wattage	–
End to End Connections	460mm
Radiator Columns	2
Material	Mild Steel

All heat outputs are shown at 50°C Δ t in compliance with BSEN442. Watts and Btu's apply to Heating and Dual Fuel only.

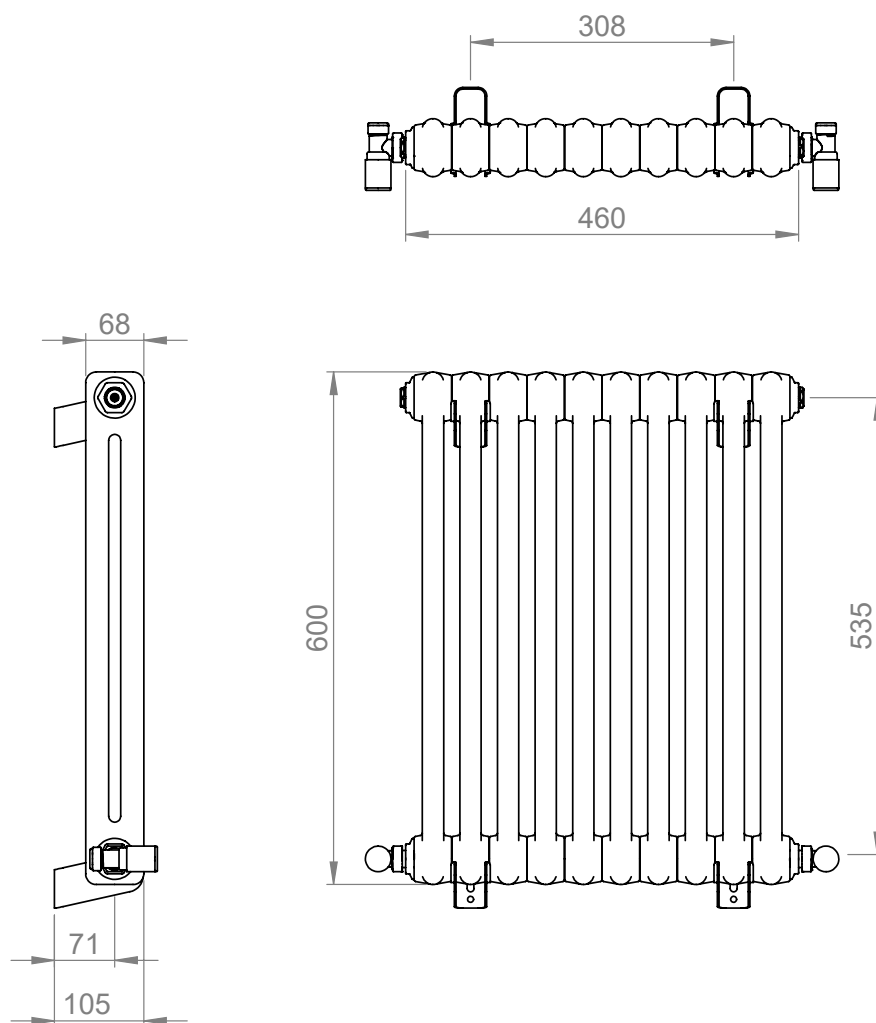
Key Features + Benefits



Certifications + Approvals

Technical Data Sheet | Designer Radiators

Adore 600 x 460mm 2 Column Radiator AD2C-060-10-0460



*Dual energy models require a conversion-tee, consult relevant drawing for details.