

Adore 500 x 460mm 2 Column Radiator AD2C-050-10-0460



Specification

Finish	White
Dimensions	500(h) x 460(w) x 68(d) mm
Weight	6kg
BTU Output/Hr	1266
Watts @ Δ T50°C	371
Bars	10
Pipe Centres	–
Electric Element Wattage	–
End to End Connections	460mm
Radiator Columns	2
Material	Mild Steel

All heat outputs are shown at 50°C Δ t in compliance with BSEN442. Watts and Btu's apply to Heating and Dual Fuel only.

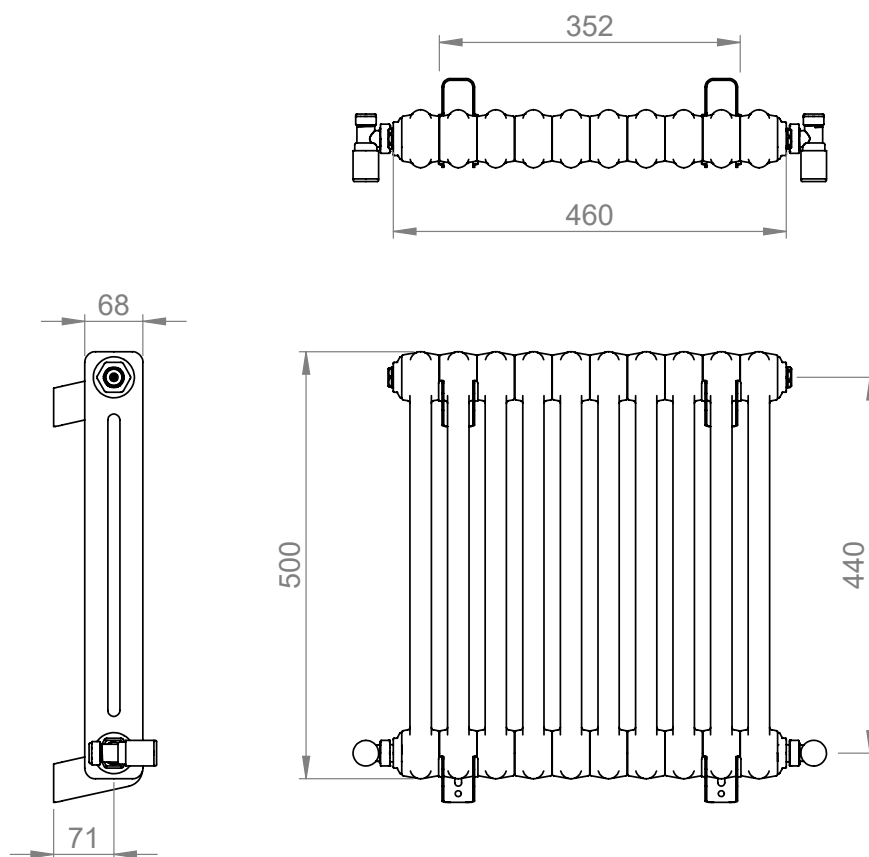
Key Features + Benefits



Certifications + Approvals

Technical Data Sheet | Designer Radiators

Adore 500 x 460mm 2 Column Radiator AD2C-050-10-0460



*Dual energy models require a conversion-tee, consult relevant drawing for details.

Vogue (UK) Ltd
Strawberry Lane, Willenhall, West Midlands, WV13 3RS. Technical Support – Tel: +44(0) 1902 387000 Email: sales@vogueuk.co.uk

All information on the data sheet is correct at the time of publication. All measurements are approximate and subject to standard tolerances.