

600 UNDERSLUNG UNIT

INSTALLATION & AFTERCARE INSTRUCTIONS

Before installation

For wall hanging units: **WARNING** in order to prevent falling down this product must be used with the wall attachment device provided.

It is recommended that the units secured to a suitably reinforced wall to ensure stability. This can be done through the back rail (Fixings not included).

Joining Units

Two units can be joined together using fixing bolts or screws (not provided) to make a 1200 double unit. It is recommended that units are joined before they are fixed to the wall.

Clamp the units together using suitable clamps, ensuring they are flush and level with each other. Drill holes through the side of the unit and using the bolts, join units together.

Fixing Handles

- A pilot hole located at the back of the door can be drilled if using a single screw knob
- If you have chosen a pull handle with 2 screws then please pilot and then drill through the door with the handles in the desired location.
- Carefully drill any holes using a clamped block of wood to protect the front of door - See figure 1.
- The handles can simply be screwed into place using the screws supplied.
- If you choose third party handles please measure carefully before drilling.

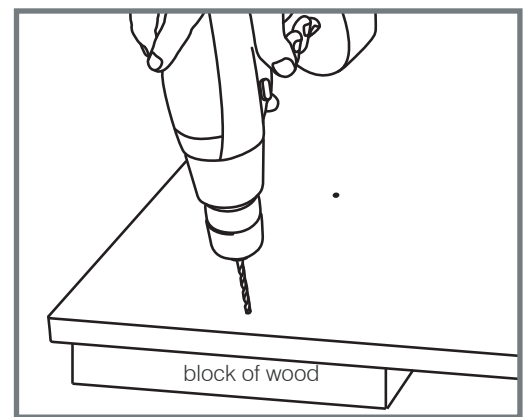


Figure 1

Fitting Worktop with Underslung Basin

- Follow supplementary instructions supplied with worktop and basin for fitting basin to worktop.
- Apply a layer of silicone sealant to the worktop on all 4 sides to be fixed to the panels, back rail and front section. See Figure 2.
- Connect plumbing services as necessary.

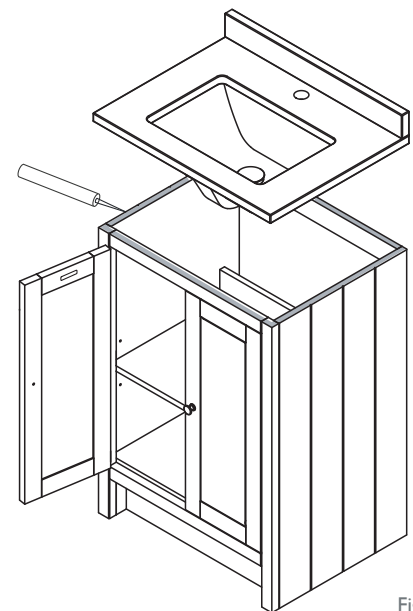


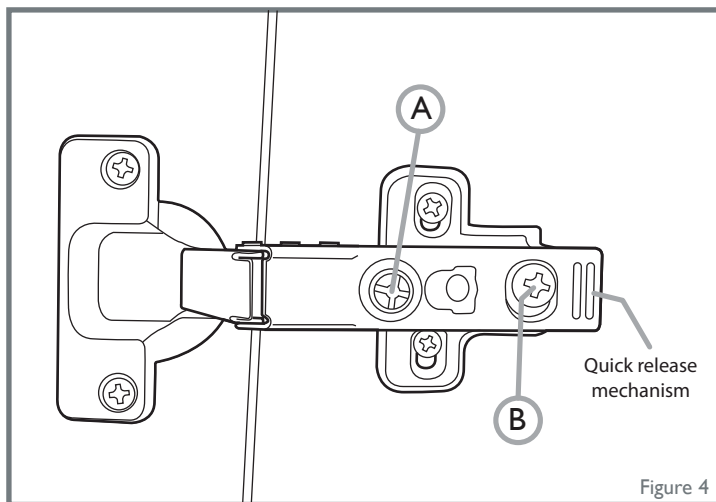
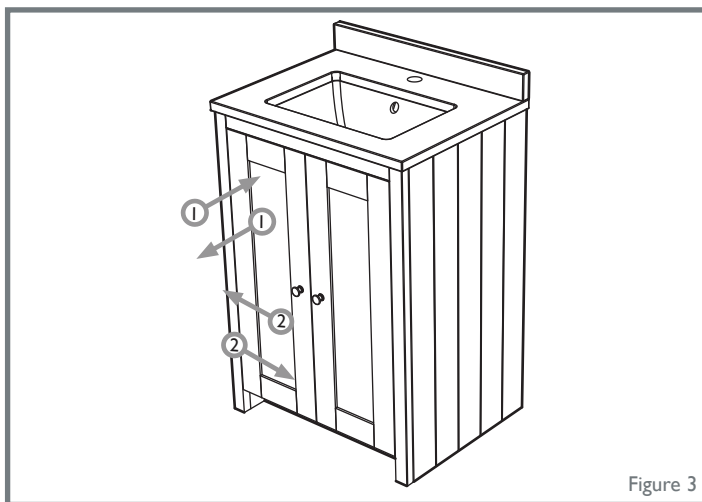
Figure 2

600 UNDERSLUNG UNIT

INSTALLATION & AFTERCARE INSTRUCTIONS

Door adjustment

The unit doors can be adjusted or removed if necessary space. There are two adjustment screws on the hinges which make the adjustments shown in the image below. The quick release button on the back of the hinge can be used to remove the door completely. See Figures 3 & 4.



To make adjustment 1 tighten/loosen adjustment B.
To make adjustment 2 simply turn screw A.

Furniture Care Instructions

As with all wooden furniture, this product should be treated with care.

We recommend...

- Wipe away any water splashes or condensation after use. Excessive exposure to water will deteriorate the furniture.
- All bathrooms should be well ventilated with a suitable extractor fan.
- To remove dirt or fingerprints, clean with a soft damp cloth and mild soapy water. Ensure this is dried immediately.
- Use a wax free polish if one must be used.
- For removal of lime scale deposits use a suitable proprietary cleaner. If necessary test on an inconspicuous area first.

Please DO NOT...

- Do not scrub or scour.
- Do not use abrasive cleaning agents.