

25mm Cross Bar Straight Towel Rail 800 x 600mm (Heating Only) PHG080-60WH



Specification

Finish	White
Dimensions	800(h) x 605(w) x 80-100(d) mm
Weight	9kg
BTU Output/Hr	1689
Watts @ Δ T50°C	495
Bars	3-5-6
Pipe Centres	555mm
Electric Element Wattage	200
Face to Face Connections	–
Air Vent Position	At Rear
Material	Mild Steel

All heat outputs are shown at 50°C Δ t in compliance with BSEN442. Watts and Btu's apply to Heating and Dual Fuel only.

Key Features + Benefits

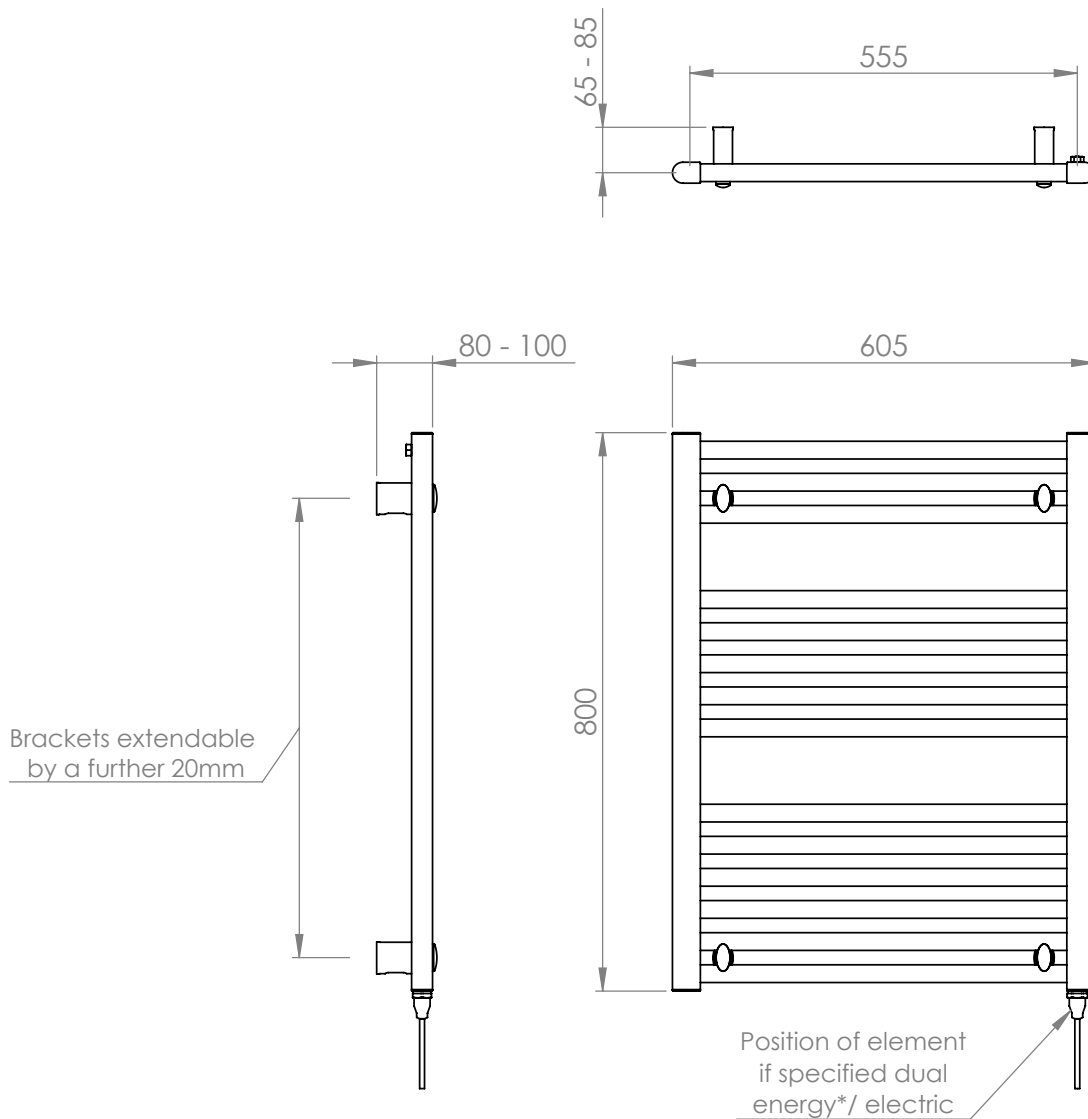


Certifications + Approvals

Technical Data Sheet | Towel Rails

25mm Cross Bar Straight Towel Rail 800 x 600mm (Heating Only)

PHG080-60WH



*Dual energy models require a conversion-tee, consult relevant drawing for details.