

25mm Cross Bar Straight Towel Rail 800 x 600mm (Heating Only) PHG080-60CP



Specification

Finish	Chrome
Dimensions	800(h) x 605(w) x 80-100(d) mm
Weight	9kg
BTU Output/Hr	1105
Watts @ Δ T50°C	324
Bars	3-5-6
Pipe Centres	555mm
Electric Element Wattage	200
Face to Face Connections	-
Air Vent Position	At Rear
Material	Mild Steel

All heat outputs are shown at 50°C Δ t in compliance with BSEN442. Watts and Btu's apply to Heating and Dual Fuel only.

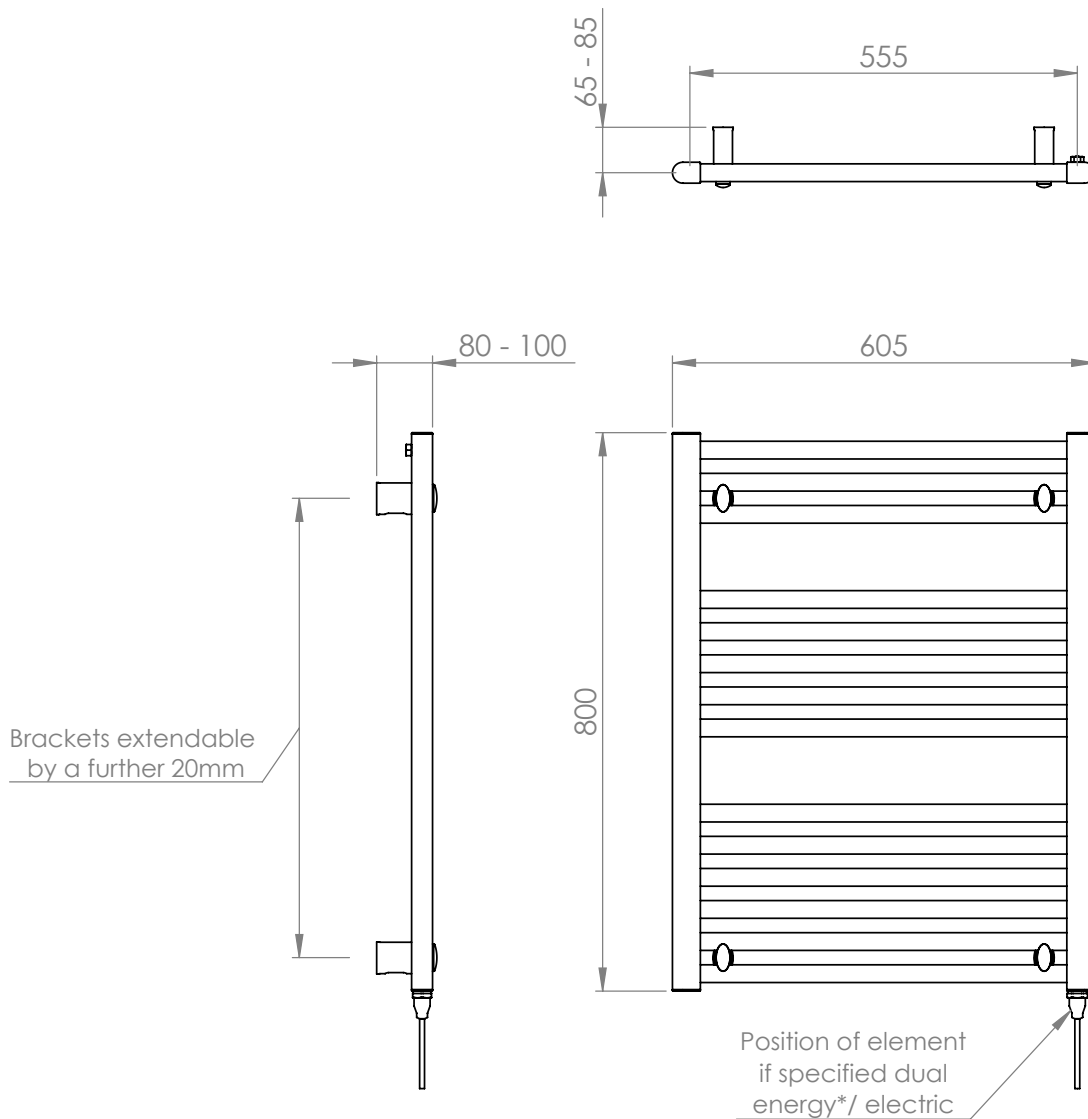
Key Features + Benefits



Certifications + Approvals

Technical Data Sheet | Towel Rails

25mm Cross Bar Straight Towel Rail 800 x 600mm (Heating Only) PHG080-60CP



*Dual energy models require a conversion-tee, consult relevant drawing for details.