

25mm Cross Bar Straight Towel Rail 800 x 600mm (Electric Only) PHG080-60CPE



Specification

Finish	Chrome
Dimensions	800(h) x 605(w) x 80-100(d) mm
Weight	13.5kg
BTU Output/Hr	–
Watts @ Δ T50°C	–
Bars	3-5-6
Pipe Centres	555mm
Electric Element Wattage	200
Face to Face Connections	–
Air Vent Position	At Rear
Material	Mild Steel

All heat outputs are shown at 50°C Δ t in compliance with BSEN442. Watts and Btu's apply to Heating and Dual Fuel only.

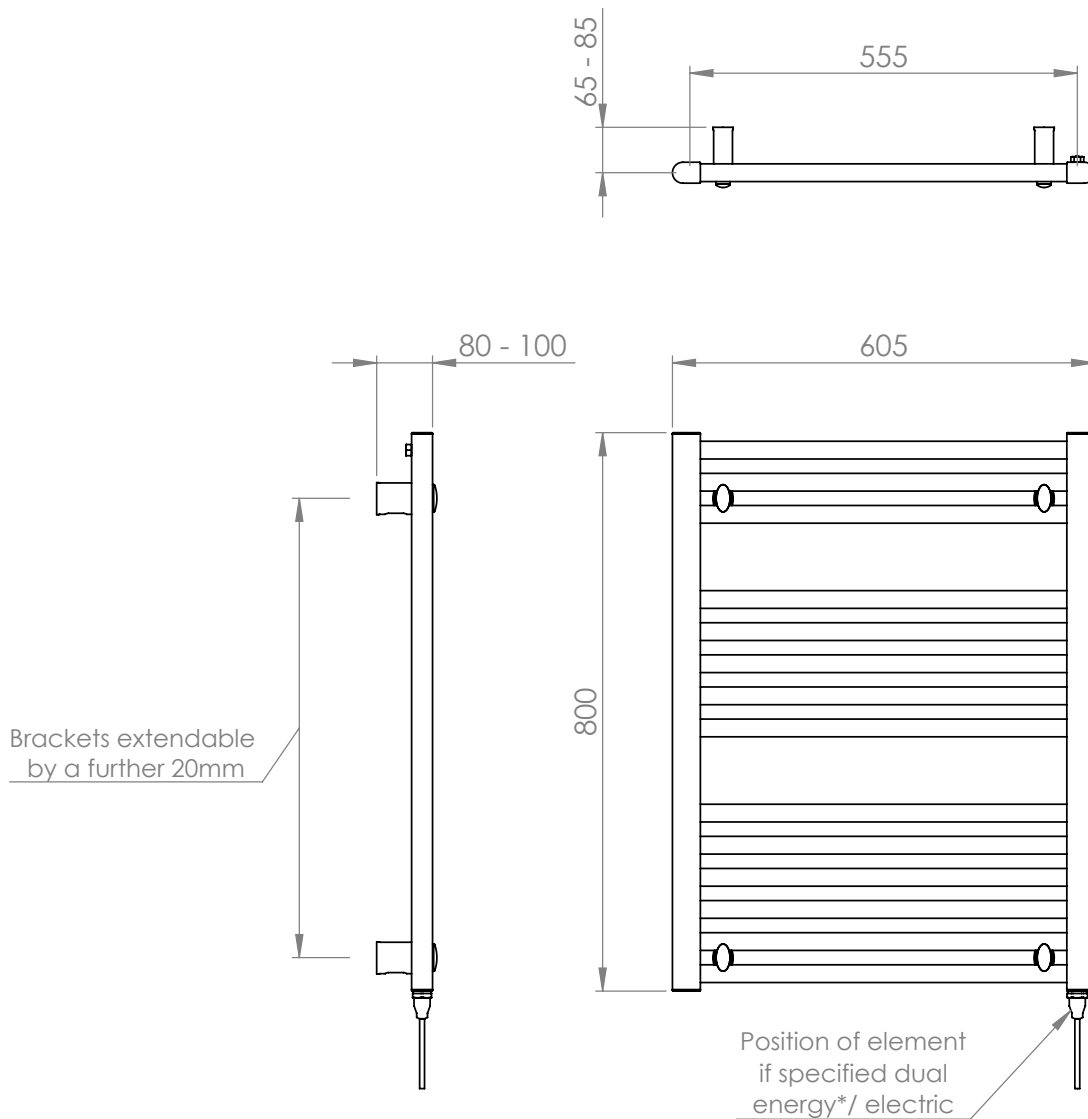
Key Features + Benefits



Certifications + Approvals

Technical Data Sheet | Towel Rails

25mm Cross Bar Straight Towel Rail 800 x 600mm (Electric Only) PHG080-60CP-E



*Dual energy models require a conversion-tee, consult relevant drawing for details.