

25mm Cross Bar Straight Towel Rail 800 x 500mm (Heating Only) PHG080-50ZSBLU



Specification

Finish	Steel Blue
Dimensions	800(h) x 505(w) x 74-84(d) mm
Weight	8kg
BTU Output/Hr	1433
Watts @ Δ T50°C	420
Bars	3-5-6
Pipe Centres	455mm
Electric Element Wattage	150
Face to Face Connections	-
Air Vent Position	At Rear
Material	Mild Steel

All heat outputs are shown at 50°C Δ t in compliance with BSEN442. Watts and Btu's apply to Heating and Dual Fuel only.

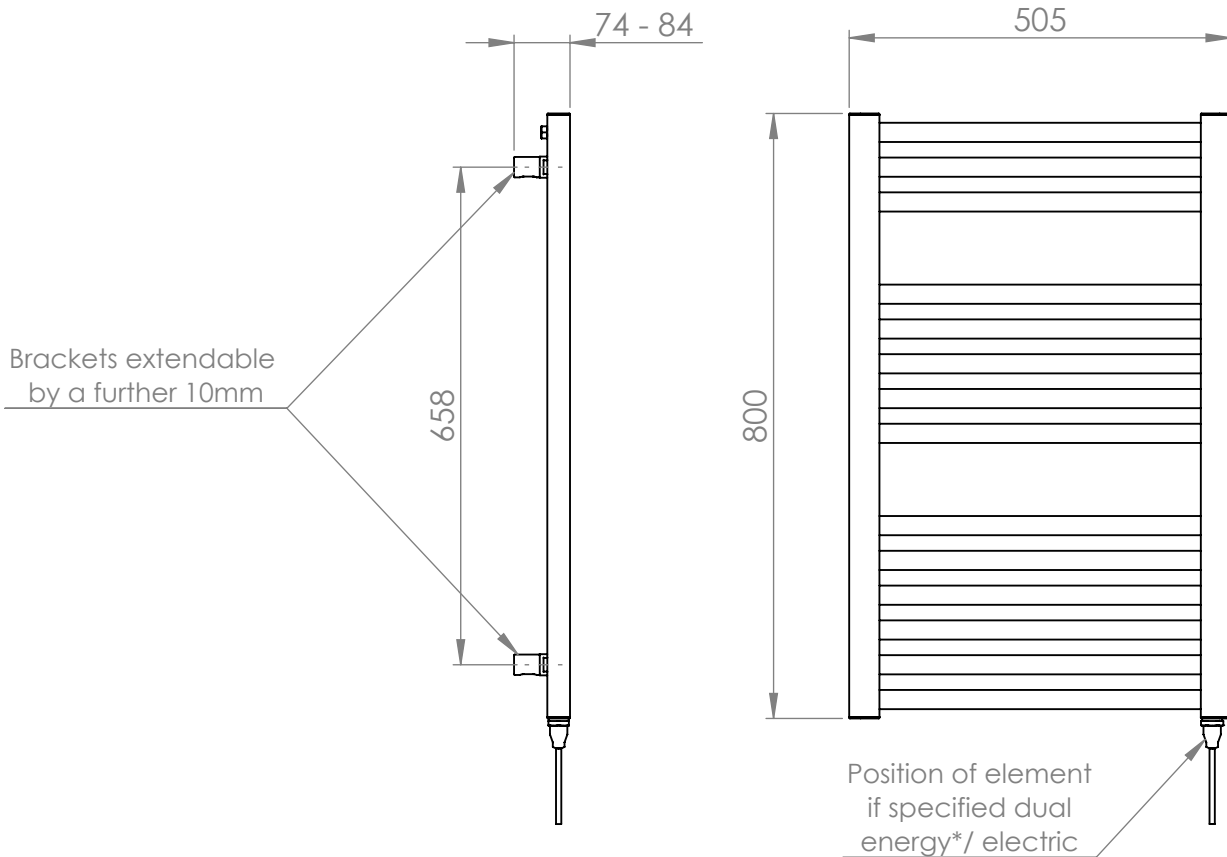
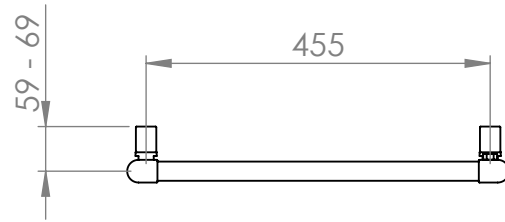
Key Features + Benefits



Certifications + Approvals

25mm Cross Bar Straight Towel Rail 800 x 500mm (Heating Only)

PHG080-50ZSBLU



*Dual energy models require a conversion-tee, consult relevant drawing for details.