

### 25mm Cross Bar Straight Towel Rail 800 x 500mm (Heating Only) PHG080-50ZEX



#### Specification

Finish	Espresso
Dimensions	800(h) x 505(w) x 74-84(d) mm
Weight	8kg
BTU Output/Hr	1433
Watts @ $\Delta$ T50°C	420
Bars	3-5-6
Pipe Centres	455mm
Electric Element Wattage	150
Face to Face Connections	–
Air Vent Position	At Rear
Material	Mild Steel

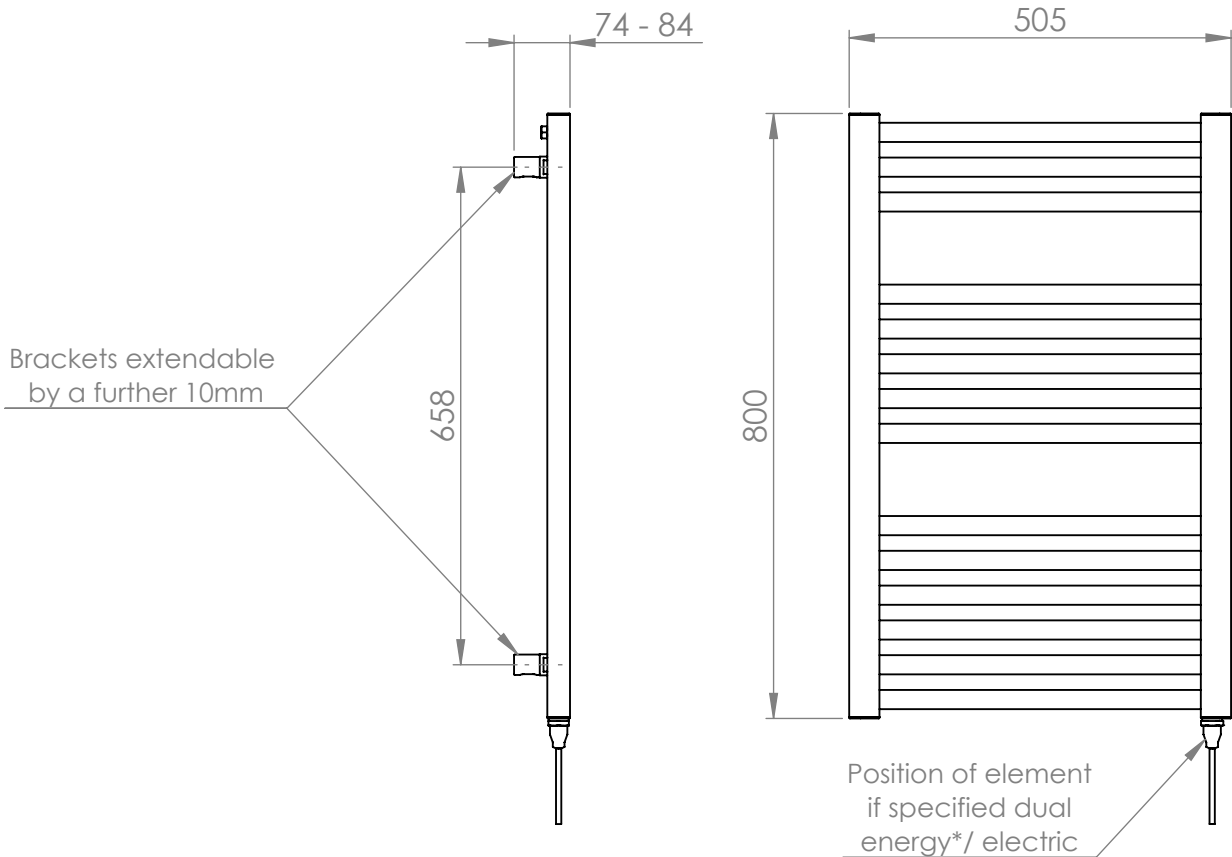
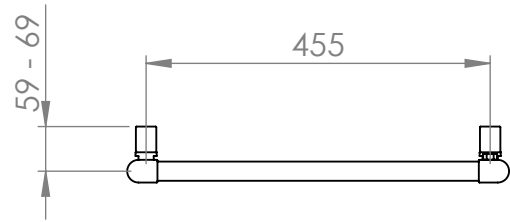
All heat outputs are shown at 50°C  $\Delta$ t in compliance with BSEN442. Watts and Btu's apply to Heating and Dual Fuel only.

#### Key Features + Benefits



#### Certifications + Approvals

### 25mm Cross Bar Straight Towel Rail 800 x 500mm (Heating Only) PHG080-50ZEX



\*Dual energy models require a conversion-tee, consult relevant drawing for details.