

25mm Cross Bar Horizontal Towel Rail 500 x 1000mm (Heating Only) PHG-H05010CP



Specification

Finish	Chrome
Dimensions	500(h) x 1000(w) x 93-113(d) mm
Weight	5kg
BTU Output/Hr	873
Watts @ Δ T50°C	256
Bars	3-6
Pipe Centres	955mm
Electric Element Wattage	125
Face to Face Connections	-
Air Vent Position	At Rear
Material	Mild Steel

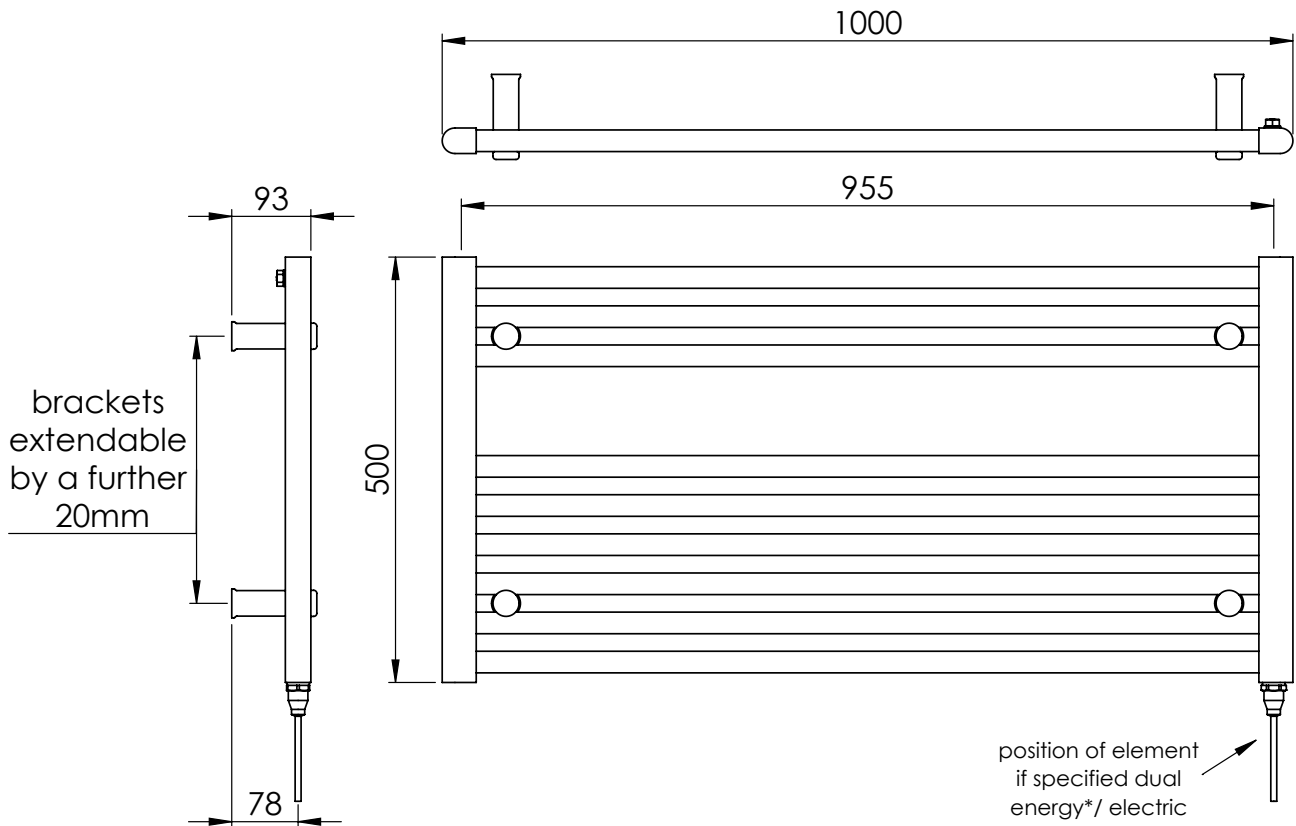
All heat outputs are shown at 50°C Δ t in compliance with BSEN442. Watts and Btu's apply to Heating and Dual Fuel only.

Key Features + Benefits



Certifications + Approvals

25mm Cross Bar Horizontal Towel Rail 500 x 1000mm (Heating Only) PHG-H05010CP



*Dual energy models require a conversion-tee, consult relevant drawing for details.