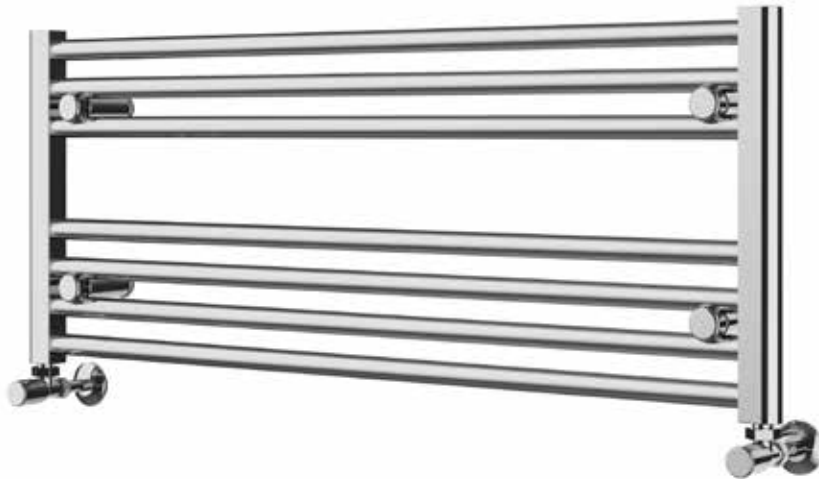


### 25mm Cross Bar Horizontal Towel Rail 400 x 1000mm (Heating Only) PHG-H04010CP



#### Specification

Finish	Chrome
Dimensions	400(h) x 1000(w) x 93-113(d) mm
Weight	5kg
BTU Output/Hr	682
Watts @ $\Delta$ T50°C	200
Bars	3-4
Pipe Centres	955mm
Electric Element Wattage	100
Face to Face Connections	-
Air Vent Position	At Rear
Material	Mild Steel

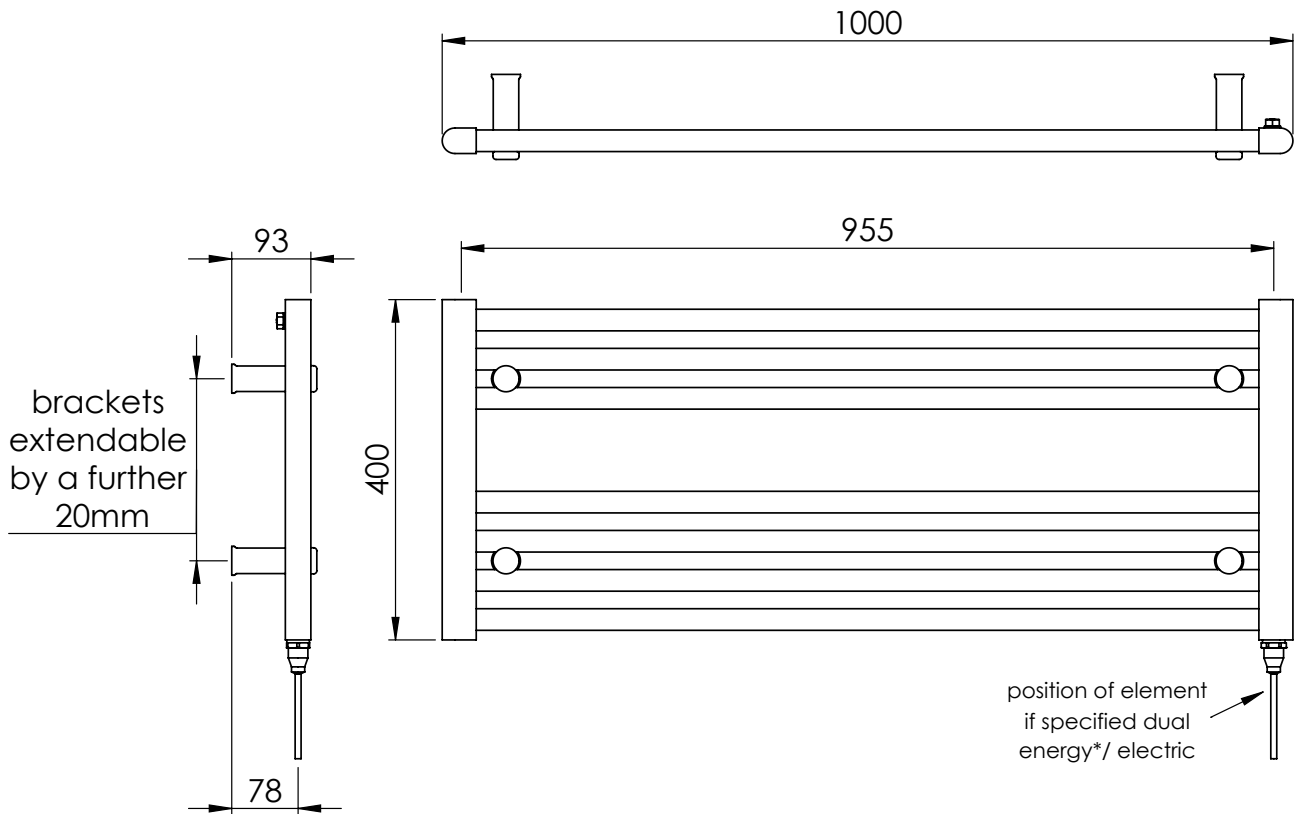
All heat outputs are shown at 50°C  $\Delta$ t in compliance with BSEN442. Watts and Btu's apply to Heating and Dual Fuel only.

#### Key Features + Benefits



#### Certifications + Approvals

### 25mm Cross Bar Horizontal Towel Rail 400 x 1000mm (Heating Only) PHG-H04010CP



\*Dual energy models require a conversion-tee, consult relevant drawing for details.