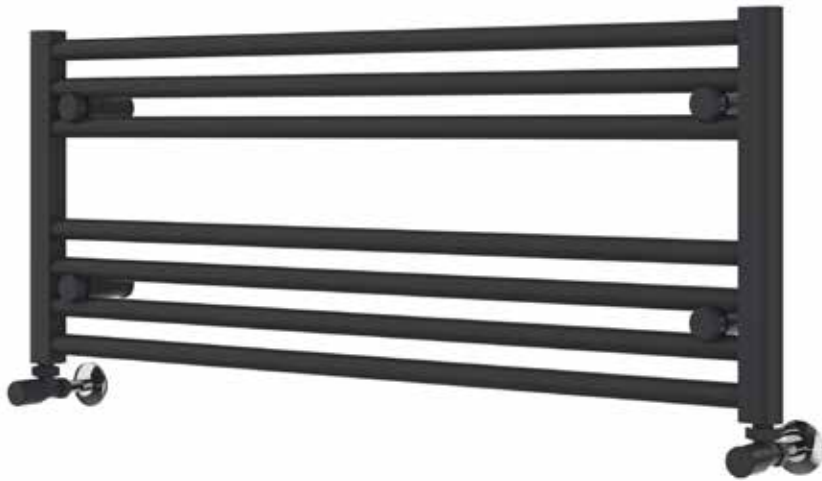


25mm Cross Bar Horizontal Towel Rail 400 x 1000mm (Heating Only) PHG-H04010AT



Specification

Finish	Anthracite
Dimensions	400(h) x 1000(w) x 93-113(d) mm
Weight	5kg
BTU Output/Hr	1030
Watts @ Δ T50°C	302
Bars	3-4
Pipe Centres	955mm
Electric Element Wattage	100
Face to Face Connections	-
Air Vent Position	At Rear
Material	Mild Steel

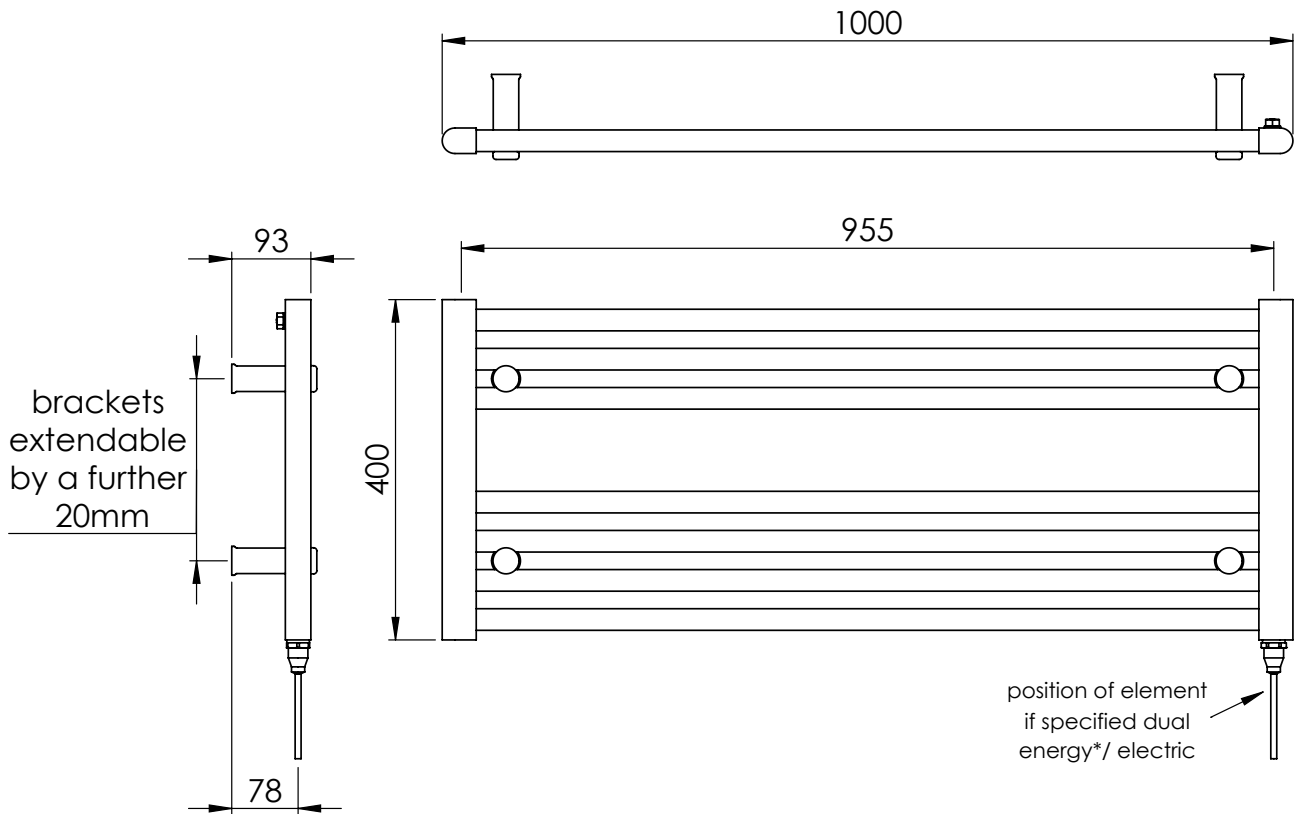
All heat outputs are shown at 50°C Δ t in compliance with BSEN442. Watts and Btu's apply to Heating and Dual Fuel only.

Key Features + Benefits



Certifications + Approvals

25mm Cross Bar Horizontal Towel Rail 400 x 1000mm (Heating Only) PHG-H04010AT



*Dual energy models require a conversion-tee, consult relevant drawing for details.