

I200 UNDERSLUNG CURVED UNITS

INSTALLATION & AFTERCARE INSTRUCTIONS

Before installation

For floor standing units intended to be attached to the building: **WARNING** in order to prevent overturning this product must be used with the wall attachment device provided.

It is recommended that the units secured to a suitably reinforced wall to ensure stability. This can be done through the back rail (Fixings not included).

Fixing Handles

- A pilot hole located at the back of the door can be drilled if using a single screw knob
- If you have chosen a pull handle with 2 screws then please pilot and then drill through the door with the handles in the desired location.
- Carefully drill any holes using a clamped block of wood to protect the front of door - See figure 1.
- The handles can simply be screwed into place using the screws supplied.
- If you choose third party handles please measure carefully before drilling.

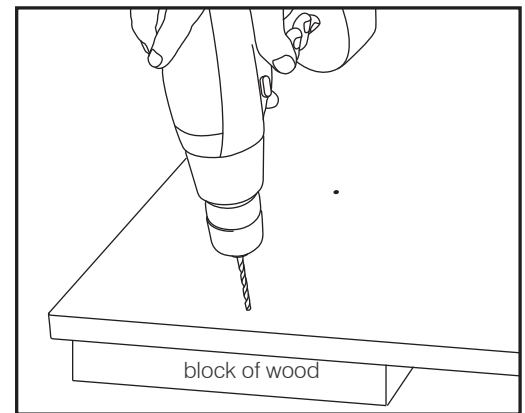


Figure 1

Fitting Worktop with Underslung Basin

- Follow supplementary instructions supplied with worktop and basin for fitting basin to worktop.
- Apply a layer of silicone sealant to the worktop on all 4 sides to be fixed to the panels, back rail and front section. See Figure 2.

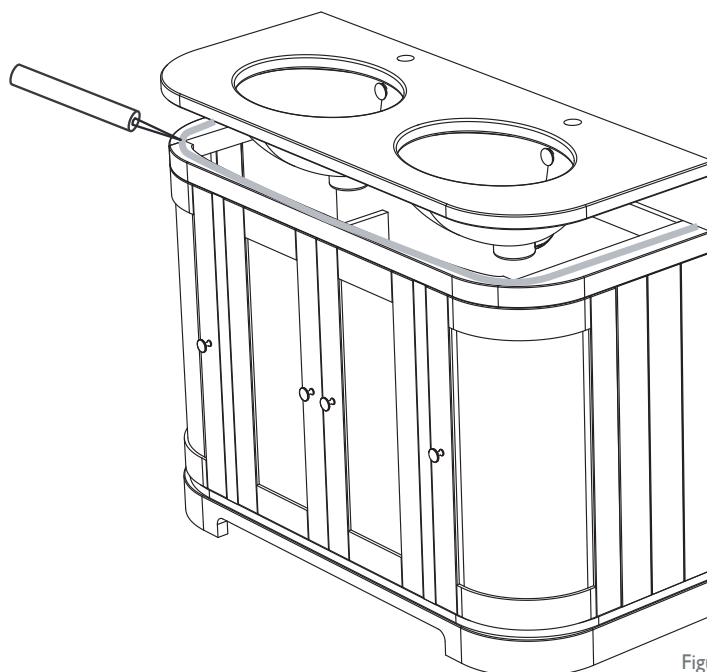


Figure 2

I200 UNDERSLUNG CURVED UNITS

INSTALLATION & AFTERCARE INSTRUCTIONS

Door adjustment

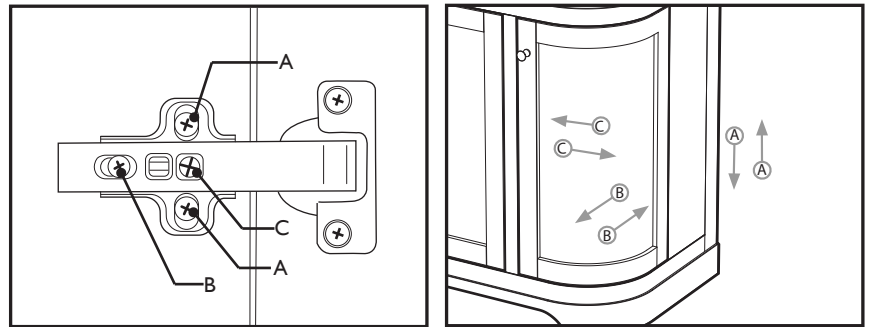
The unit doors can be adjusted or removed if necessary space. A number of adjustments can then be made to adjust the position of the doors to ensure smooth operation:

OUTER CURVED DOOR ADJUSTMENT

Up / Down adjustment: Loosen screws (A) to adjust the vertical position of door. Re-tighten once desired position is achieved.

Forward / Backward Adjustment: Loosen screw (B) and adjust the door position forwards or backwards in the carcass. Retighten screw (B) once the door is in the desired position.

Left / Right Adjustment : Loosen or tighten screw (C) to adjust the door position left or right.

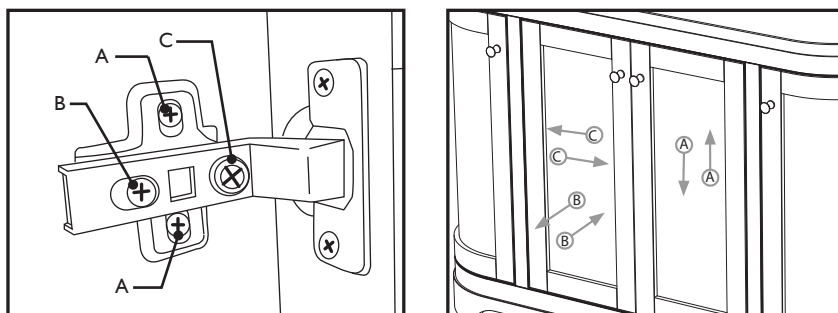


CENTRE DOOR ADJUSTMENT

Up / Down adjustment: Loosen screws (A) to adjust the vertical position of door. Re-tighten screw once desired position is achieved.

Forward / Backward Adjustment: Loosen screw (B) and adjust the door position forwards or backwards in the carcass. Re-tighten screw once desired position is achieved.

Left / Right Adjustment : Loosen or tighten screw (C) to adjust door position left or right



Furniture Care Instructions

As with all wooden furniture, this product should be treated with care.

We recommend...

- Wipe away any water splashes or condensation after use. Excessive exposure to water will deteriorate the furniture.
- All bathrooms should be well ventilated with a suitable extractor fan.
- To remove dirt or fingerprints, clean with a soft damp cloth and mild soapy water. Ensure this is dried immediately.
- Use a wax free polish if one must be used.
- For removal of lime scale deposits use a suitable proprietary cleaner. If necessary test on an inconspicuous area first.

Please DO NOT...

- Do not scrub or scour.
- Do not use abrasive cleaning agents.